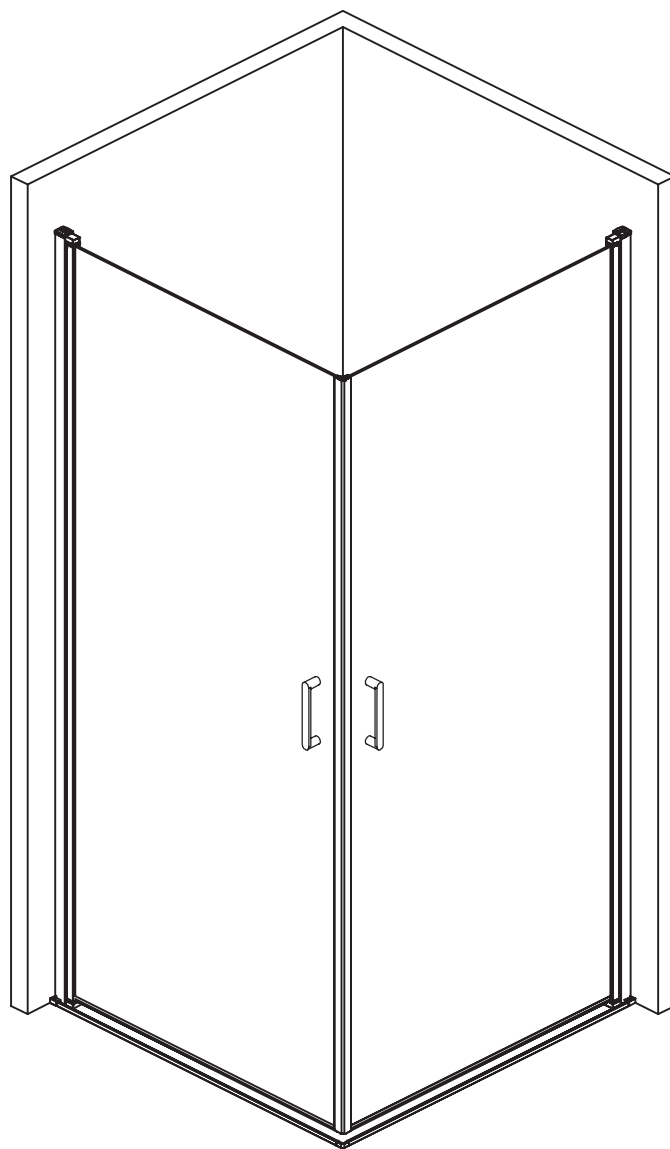
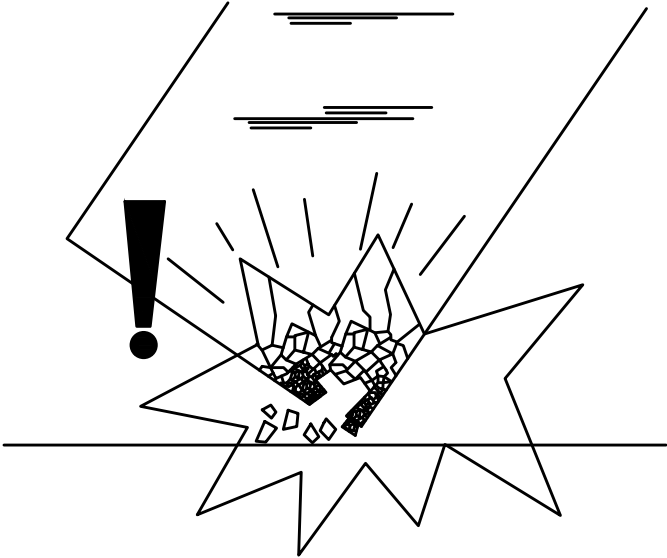
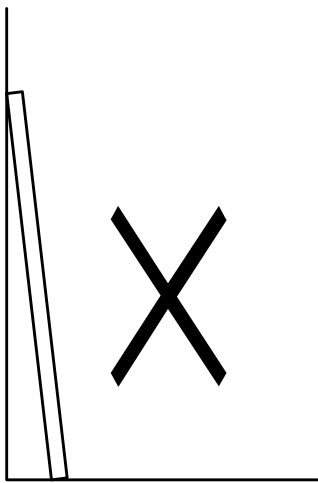
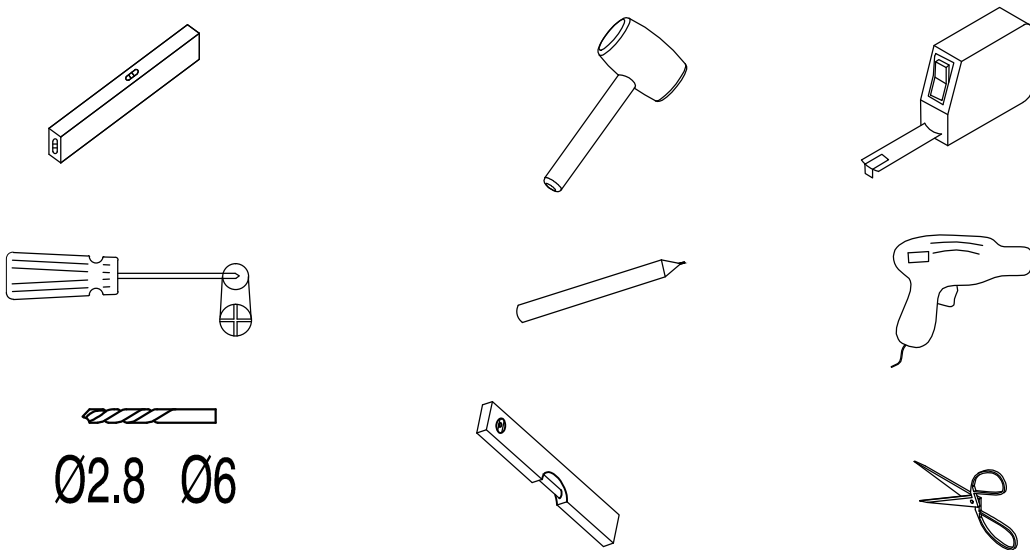
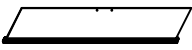

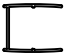















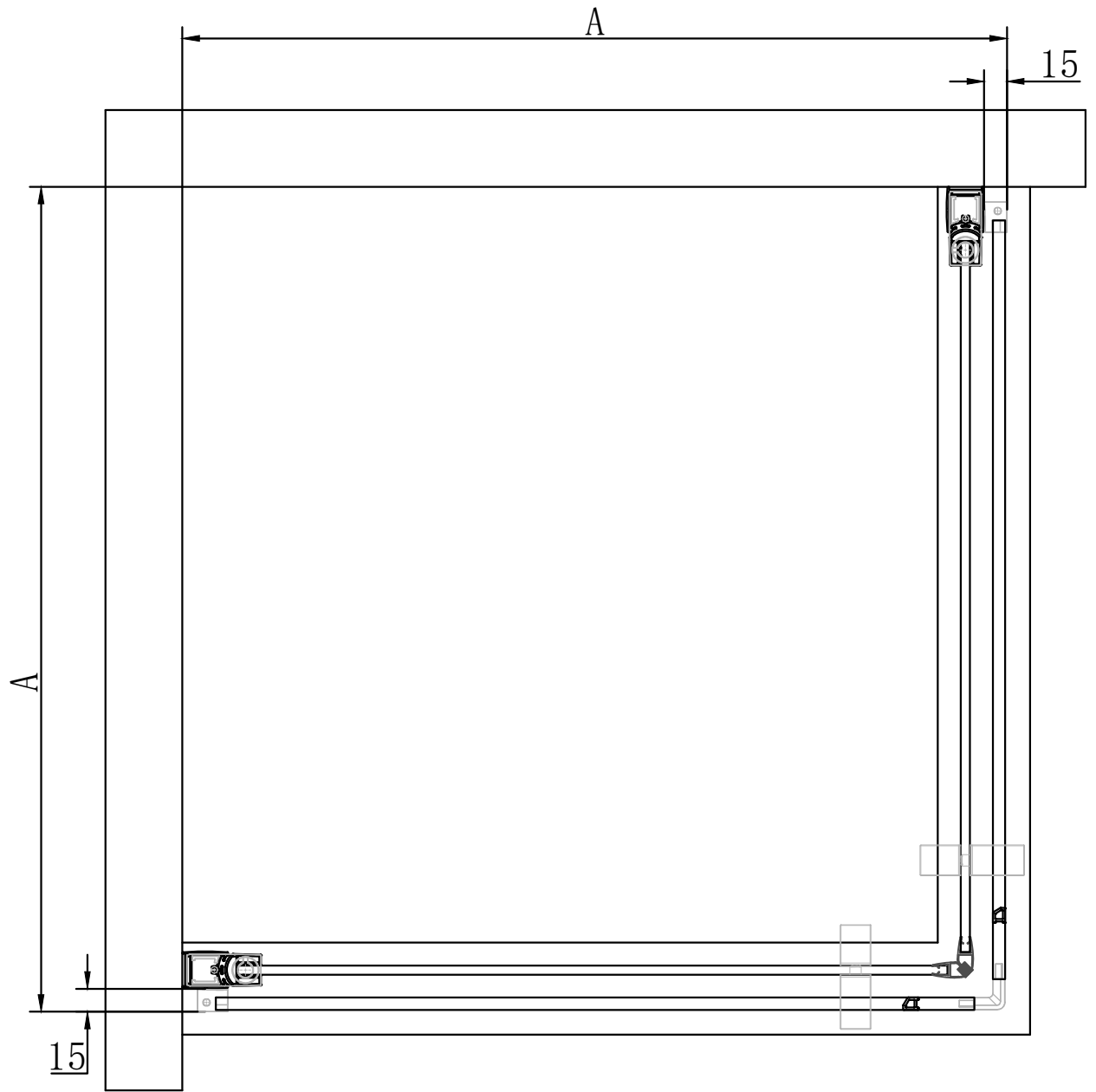


Model NO. 4000730
4000731
4000732

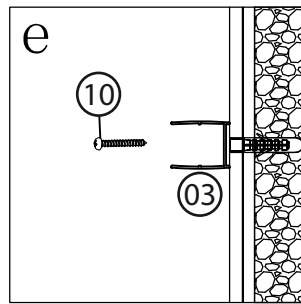
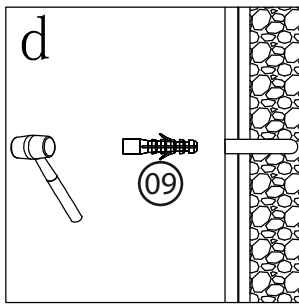
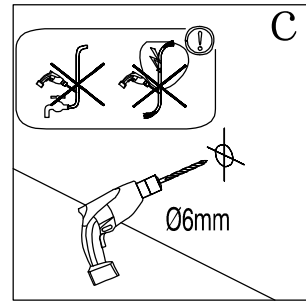
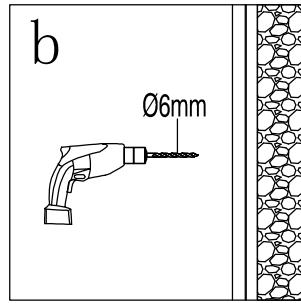
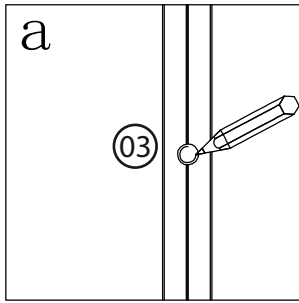
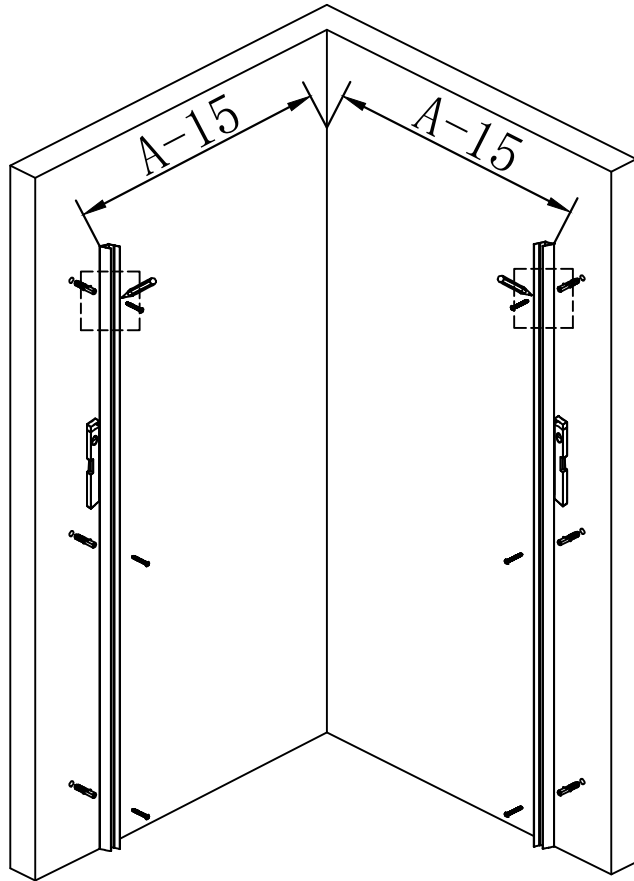


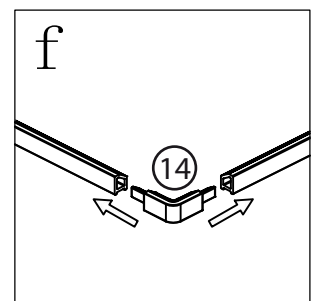
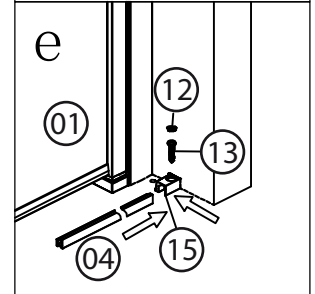
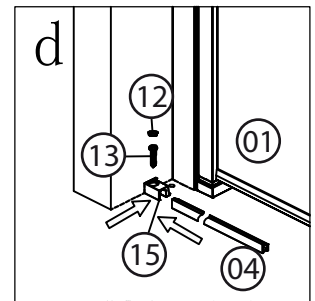
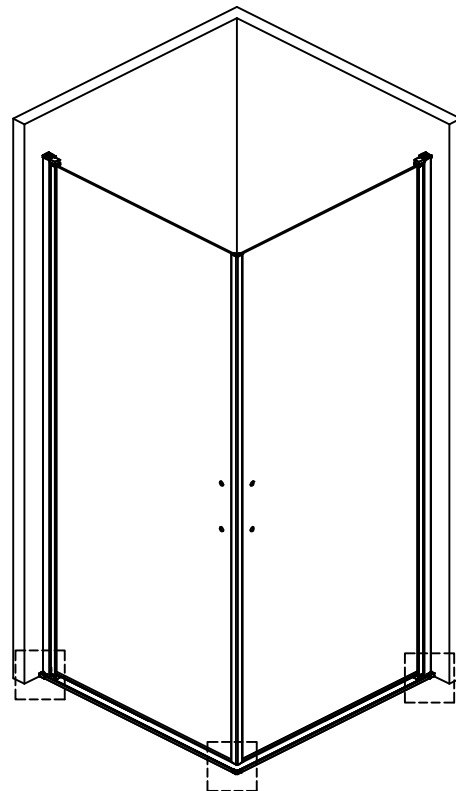
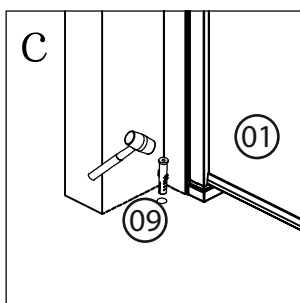
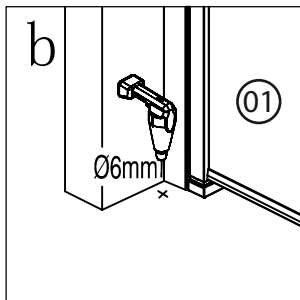
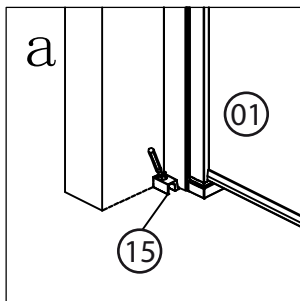
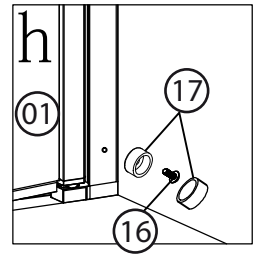
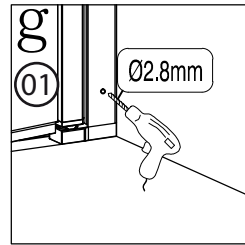
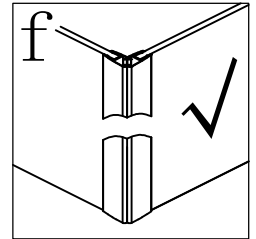
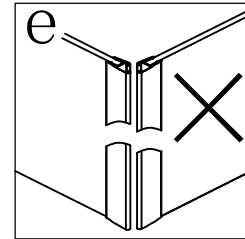
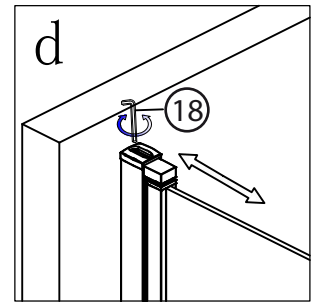
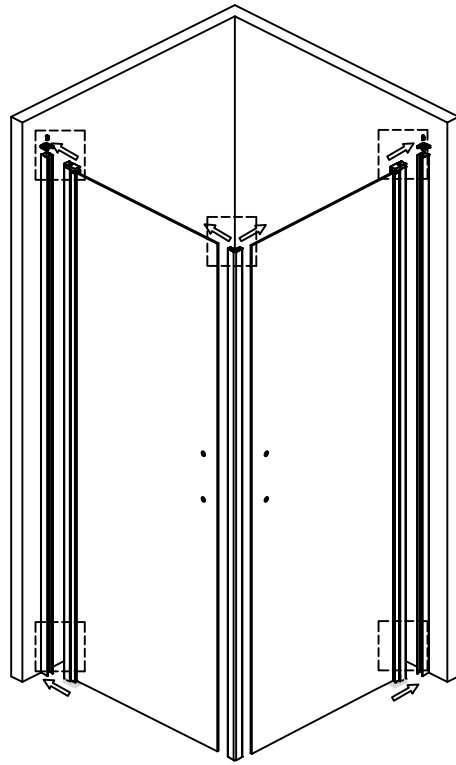
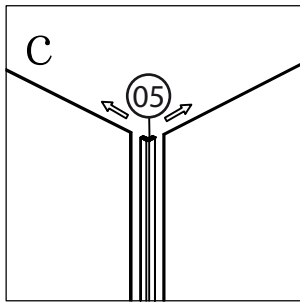
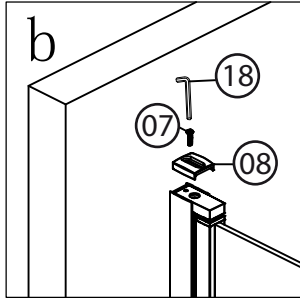
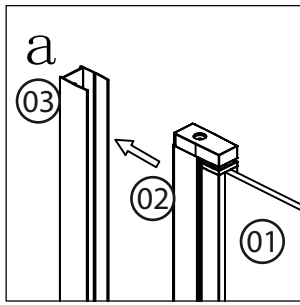


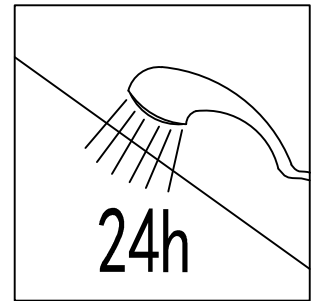
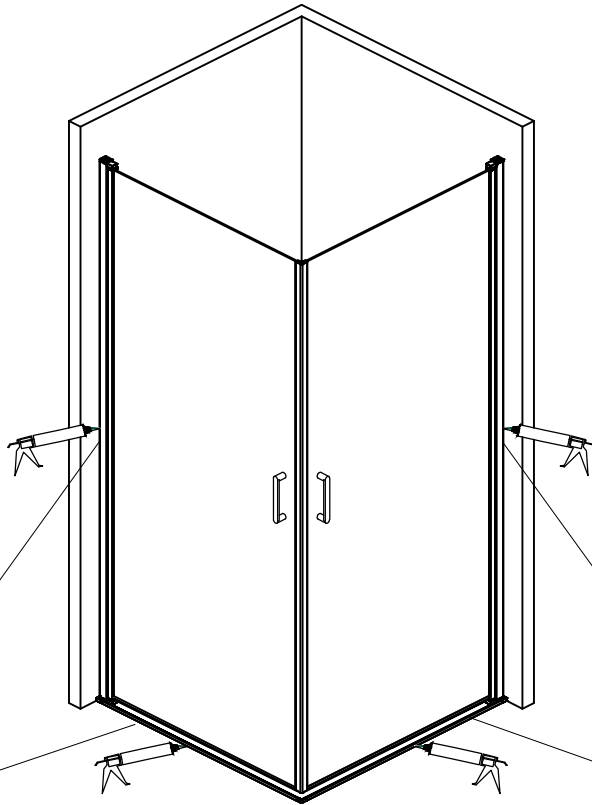
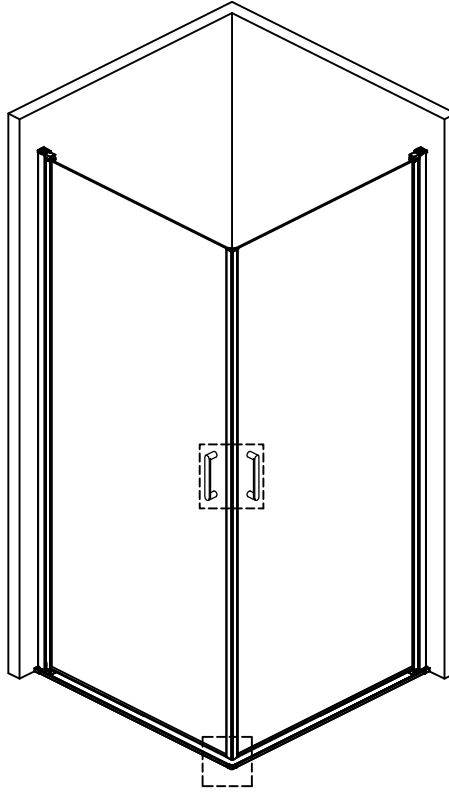
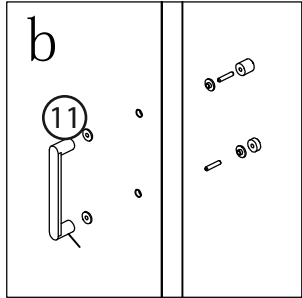
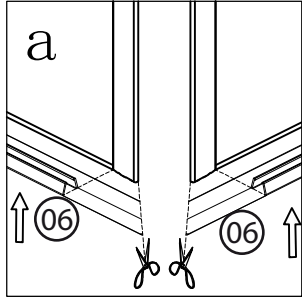
Serial number	Graphical	Name	Quantity	ID
01			1PCS	V233
02				ND01-3877
03			1PCS	ND01-3560
04			1PCS	P279
05			1PCS	ND01-3878
06			1PCS	T38
07		M4X10	1PCS	ND01-3879
08			1PCS	
09		φ6	4PCS	
10		ST3. 9X35	3PCS	
11			1PCS	
12			1PCS	
13		ST3. 9X35	1PCS	
14			1PCS	
15		L/R	2PCS	
16		ST3. 5X9. 5	1PCS	
17			1PCS	
18		M2. 5	1PCS	



	A
800	785-800
900	885-900
1000	985-1000

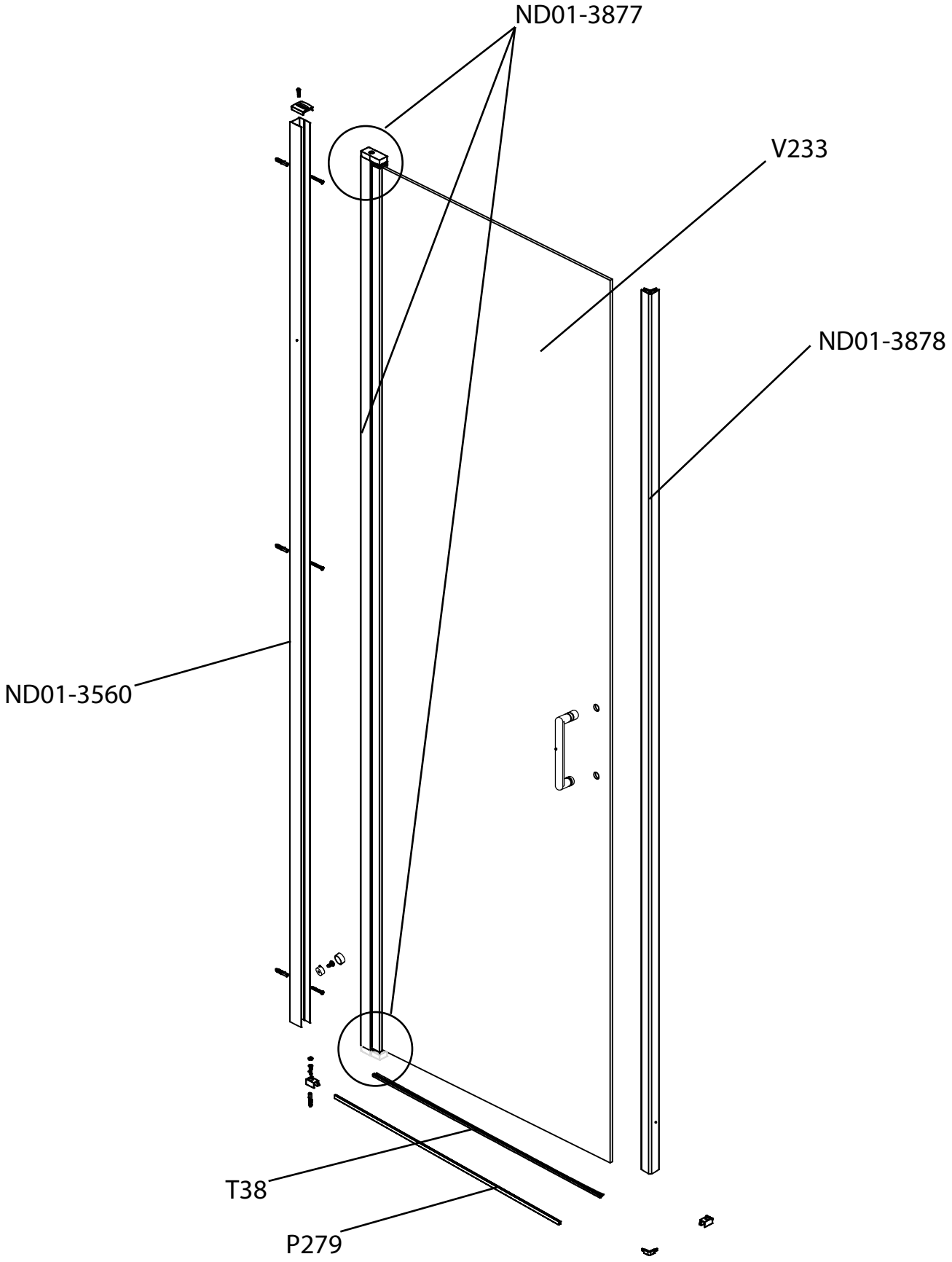






SILICONE

SILICONE



P279	800	brillant	ND01-3561
	900		ND01-3562
	1000		ND01-3563

V233	800	brillant/transparent	ND02-0805-00-02
	900		ND02-0804-00-02
	1000		ND02-0803-00-02

T38	800		ND01-3685
	900		ND01-3686
	1000		ND01-3687